


BN4080603CHAL
Industry Standards

UL 50, Types 4, 4X, 12 & 13
 CSA Certified, Types 4 & 12
 NEMA/EEMAC Type 4, 4X, 12 & 13
 JIC EL-1-71

 UL File E6924

 CSA File LL66078

FEATURES-SPECIFICATIONS
Applications

Designed as an instrument housing or junction box for electrical, electronic, or pneumatic components. It is ideal for applications where a lightweight, corrosion resistant enclosure is required.

Construction

- Bodies and doors fabricated from .080-inch thick (2 millimeters) 5052-H32 aluminum
- Continuously welded seams ground smooth, less holes or knockouts
- Closed cell oil resistant neoprene gasket

- External mounting plate, top and bottom of enclosure
- Weldnuts are provided on Models 6.00" x 4.00" and larger to secure optional panel
- Stainless steel screws and clamps on three sides of cover to assure water tight seal
- **Optional** panels and terminal kits must be ordered separately
- Grounding provisions provided
- Cover removed by pulling stainless steel continuous hinge pin

Finish

- Exterior and doors of enclosures have a smooth grained finish
- **Optional** back panels are white polyester powder over phosphatized surfaces

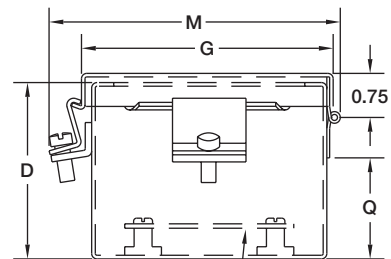
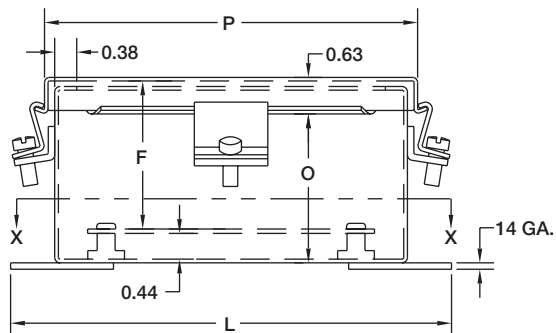
Accessories

- Back panels (reference tables)
- See pages J1-J19

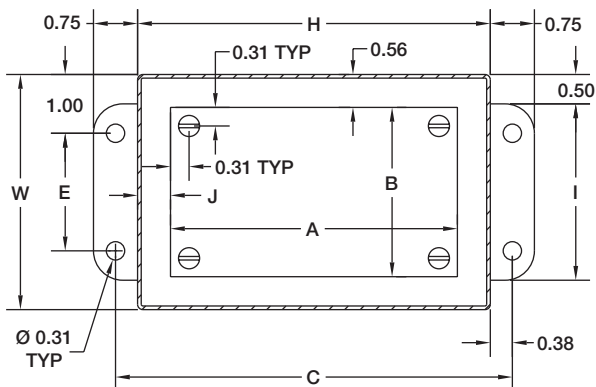
BN4-CHAL SERIES CONTINUOUS HINGE ALUMINUM ENCLOSURES															
CATALOG NUMBER	BODY/DOOR ALUMINUM GAUGE	ENCLOSURE SIZE H X W X D	BACK PANEL CATALOG NUMBER*	BACK PANEL SIZE A X B	MOUNTING C X E	OVERALL L X M	F	G	I	J	K	N	O	P	Q
BN4060604CHAL	14/14	6.00x6.00x4.00 (152x152x102)	P0606	4.88x4.88 (124x124)	6.75x4.00 (171x102)	7.50x7.00 (191x178)	3.53 (90)	6.31 (160)	5.00 (127)	0.56 (14)	2.38 (60)	2.38 (60)	3.53 (90)	6.31 (160)	2.78 (71)
BN4080603CHAL	14/14	8.00x6.00x3.50 (203x152x89)	P0806	6.88x4.88 (175x124)	8.75x4.00 (222x102)	9.50x7.00 (241x178)	3.03 (77)	6.31 (160)	5.00 (127)	0.56 (14)	2.38 (60)	3.38 (86)	3.03 (77)	8.31 (211)	2.28 (58)
BN4100804CHAL	14/14	10.00x8.00x4.00 (254x203x102)	P1008	8.88x6.88 (226x175)	10.75x6.00 (273x152)	11.50x9.00 (292x229)	3.53 (90)	8.31 (211)	7.00 (178)	0.56 (14)	3.38 (86)	1.50 (38)	3.53 (90)	10.31 (262)	2.78 (71)
BN4121005CHAL	14/14	12.00x10.00x5.00 (305x254x127)	P1210	10.88x8.88 (276x226)	12.75x8.00 (324x203)	13.50x11.00 (343x279)	4.53 (115)	10.31 (262)	9.00 (229)	0.56 (14)	2.00 (51)	3.00 (76)	4.53 (115)	12.31 (313)	3.78 (96)
BN4141206CHAL	14/14	14.00x12.00x6.00 (356x305x152)	P1412	12.88x10.88 (327x276)	14.75x10.00 (375x254)	15.50x13.00 (394x330)	5.53 (141)	12.31 (313)	11.00 (279)	0.56 (14)	2.00 (51)	3.00 (76)	5.53 (141)	14.31 (364)	4.78 (121)
BN4161406CHAL	14/14	16.00x14.00x6.00 (406x356x152)	P1614	14.88x12.88 (378x327)	16.75x12.00 (425x305)	17.50x15.00 (445x381)	5.53 (141)	14.31 (363)	13.00 (330)	0.56 (14)	3.50 (89)	1.50 (38)	5.53 (141)	16.31 (414)	4.78 (121)

*Back panels must be ordered separately.


WIEGMANN®



Panel (Order Separately)

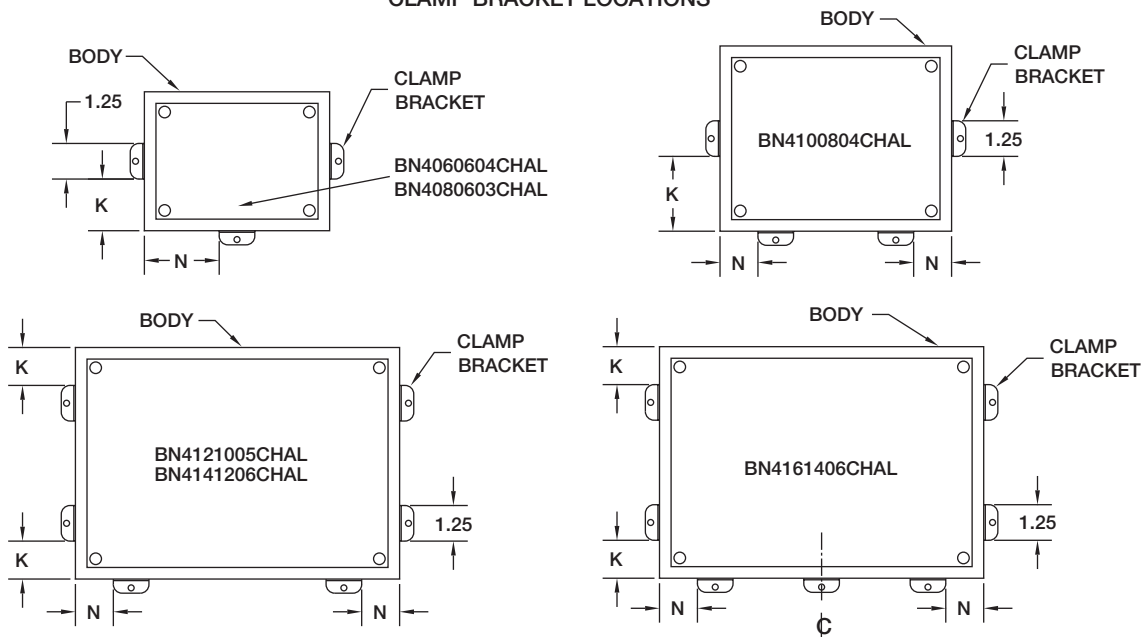


Notes:

1. Panels are 14 Ga. steel.
2. Panel screws are #10-32 Pan Head.

SECTION X-X

CLAMP BRACKET LOCATIONS





P0808

FEATURES-SPECIFICATIONS

Description

- 14 gauge (carbon and stainless)
- White polyester powder finish on steel panels
- Aluminum panels are 5052-H32 aluminum alloy, .080-inch thick
- Panels fit the following enclosures:
 - B
 - BCH
 - BN4
 - BN4CH
 - BN4SS
 - BN4CHSS
 - BN4AL
 - BN4CHAL

BACK PANELS FOR JIC ENCLOSURES			
CATALOG NUMBER			PANEL SIZE A X B
PAINTED STEEL (WHITE)	304 STAINLESS STEEL	ALUMINUM	
P0604	P0604SS	P0604AL	4.88x2.88 (124x73)
P0606	P0606SS	P0606AL	4.88x4.88 (124x124)
P0806	P0806SS	P0806AL	6.88x4.88 (175x124)
P0808	—	—	6.88x6.88 (175x175)
P1008	P1008SS	P1008AL	8.88x6.88 (226x175)
P1010	—	—	8.88x8.88 (226x226)
P1206	—	—	10.88x4.88 (276x124)
P1210	P1210SS	P1210AL	10.88x8.88 (276x226)
P1212	P1212SS	—	10.88x10.88 (276x276)
P1408	—	—	12.88x6.88 (327x175)
P1412	P1412SS	P1412AL	12.88x10.88 (327x276)
P1610	—	—	14.88x8.88 (378x226)
P1614	P1614SS	P1614AL	14.88x12.88 (378x327)

